



X8 Controller

Specification

X8

Overview

X8 is a professional LED display controller. It possesses powerful video signal receiving, splicing and processing capacities, and supports multiple signal inputs, in which the maximum input resolution is 1920×1200 pixels. It supports digital ports (DVI and SDI), and seamless switching between signals. It supports splicing, broadcast quality scaling, and six-layer displays.

X8 adopts 8 Gigabit Ethernet outputs, and it supports large LED displays of 8192 pixels in maximum width and of 4096 pixels in maximum height. Meanwhile, X8 is equipped with a series of versatile functions which can provide flexible screen control and high-quality image displays. It can be perfectly applied to high-end rental displays and high-resolution LED displays.

Features

- Supports various digital signal ports, including 4×DVI and 2×SDI
- Supports input resolutions up to 1920×1200@60Hz
- Loading capacity: 5 million, maximum width:8192 pixels, maximum height: 4096 pixels
- Supports arbitrary switching of video sources; the input images can be spliced and scaled according to the screen resolution
- Supports six-layer displays, the location and size can be adjusted freely
- Supports 16 kinds of preset modes, the saved preset parameters can be loaded at any time according to needs
- Dual USB2.0 for high speed configuration and easy cascading among controllers
- Supports brightness and color temperature adjustment
- Supports better gray at low brightness
- Compatible with all receiving cards, multifunction cards, and optical fiber transceivers of Colorlight

Hardware

The Front Panel



No.	Name	Function
1	3.5-inch LCD	Displays the operation menu and system information
2	Knob	Turn knob to select or adjust
3	Function Keys	OK: Enter key ESC: Escape current operation or selection Bright: Brightness option Black: Blank screen Lock: Lock keys
4	Selection Keys	DV11/DV12/DV13/DV14/SD11/SD12: Video source selection Mode: Preset mode selection of images Freeze: Freeze screen Test: Test mode selection
5	Power Switch	Power switching for equipment

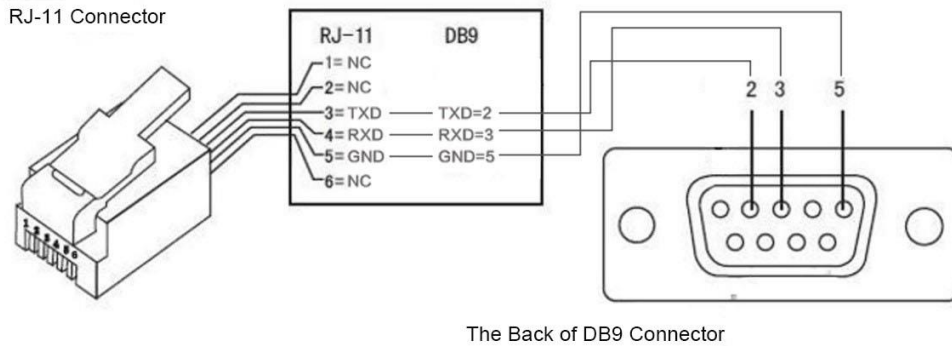
The Back Panel



Input Interface		
1	DVI	4 DVI inputs, in accordance with HDMI 1.4 standard Supports 1920×1200@60Hz, 1920×1080@60Hz, supports HDCP
2	SDI	2 SDI inputs, in accordance with 3G-SDI standard Supports 1080p, 1080i
Output Interface		
1	Port 1-8	RJ45, 8 Gigabit Ethernet outputs, which can be arbitrarily spliced
Controlling Interface		
1	LAN	Network control (communication with PC, or access network)
2	USB IN	USB input, which connects with PC to configure parameters
3	USB OUT	USB output, cascading with the next controller
4	Genlock	Genlock signal input ensures synchronism of display image
5	Genlock Loop	Genlock synchronous signal loop output
6	RS232	RJ11 (6P6C) *, used to communicate via 3rd party interfaces
Power		
1	AC 100~240V	AC Power Interface

*RJ11 and DB9 Conversion

Circuit Connection Diagram



Specifications

Size	2U standard box
Input voltage	AC 100~240V
Rated Power Consumption	75W
Working Temperature	-20°C~60°C
Weight	6.9kg

Dimension

Unit: mm

